

Woda-Pure S-F1

Woda-Pure S-F5

Woda-Pure S-C

Woda-Pure S-UF

Woda-Pure S-CUF

Woda-Pure XL-CUF



Wichtige Hinweise: Um Fehler zu vermeiden, ist die Einbau- und Bedienungsanleitung stets griffbereit aufzubewahren, vor der Ausführung von Arbeiten am Gerät vollständig durchzulesen und zu beachten. Unsere Merkblätter und Druckschriften sollen nach bestem Wissen beraten, der Inhalt ist jedoch ohne Rechtsverbindlichkeit. Im Übrigen gelten unsere allgemeinen Geschäftsbedingungen.

Important notice: Always keep the fitting and operating instructions close at hand to avoid any mistakes and before carrying out any work on the device you should read the fitting and operating instructions carefully and follow them. While our data sheets and brochures should provide advice to the best of our knowledge, the content thereof is not legally binding. In addition to this, our general terms and conditions of trade apply.

Änderungen vorbehalten!
Subject to alterations!

For You and Planet Blue.

BWT
BEST WATER TECHNOLOGY

Vielen Dank für das Vertrauen, das Sie uns durch den Kauf eines BWT Gerätes entgegengebracht haben.

Thank you very much for the confidence that you have shown in us by purchasing a BWT appliance.

DE Inhaltsverzeichnis Seite 3

EN Table of contents Page 13

Content

1. Scope of Delivery	14
1.1. Installation Set (see figure 2)	14
1.2. Replacement Cartridge	14
2. Technical Data	14
2.1. Dimensions and Weights	14
2.2. Operation Conditions	15
3. General Information	15
3.1. Information about this Installation and Operation Manual	15
3.2. Limited Warranty and Liability	15
3.3. Responsibility of the Consumer	15
3.4. Symbol Explanation	15
4. Operation and Safety Instructions	16
4.1. Intended Use	16
4.2. Qualified Staff	16
4.3. Operation after a Shut Down	17
4.4. Replacement Interval	17
4.5. Disposal	17
5. Filter Function	17
5.1. Assigned Use	17
5.2. Construction/Filter Function	17
6. Filter installation	17
6.1. Water Quality	17
6.2. Pressure	17
6.3. Unpacking the Filter	18
6.4. Mounting of the Filter Head and Wall bracket	18
6.4.1. Mounting the Wall bracket	18
6.4.2. Mounting the Filter Head	18
6.5. Filter Cartridge Installation	19
6.6. Filter Cartridge Change	19
7. Service and Maintenance	20
8. Trouble Shooting	21
9. Order Numbers	21

1. Scope of Delivery

1.1 Installation Set

(see figure 1)

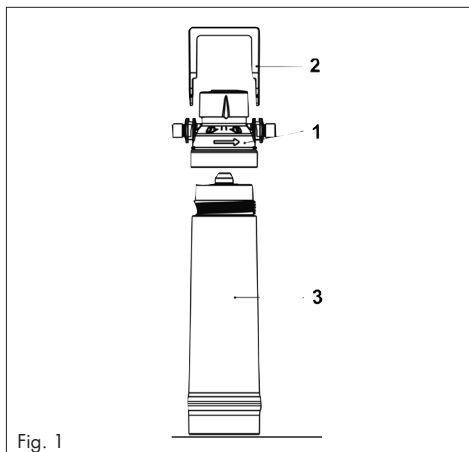


Fig. 1

- Filter head (1) with female thread for the connection to the filter cartridge. The head is fitting to different Woda-Pure sizes.
An aqua stop and two non return valve (inlet and outlet) are installed in the filter head
- Wall bracket (2) to mount the filter cartridge
- Filter cartridge (3) with hygienic cap and male thread as counterpart to the filter head (1)
- Installation and Operating Instructions/Manual

1.2 Replacement Cartridge

Filter cartridge (3) with hygienic cap and male thread as counterpart to the filter head (1).

For hygienic reasons all parts are wrapped in a protection foil.

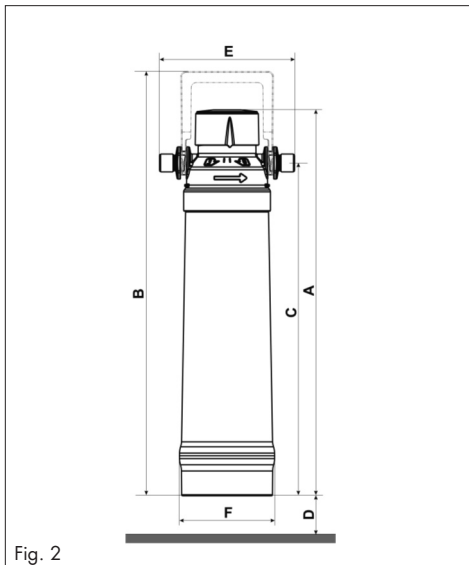


Fig. 2

2. Technical Data

2.1 Dimensions and Weights

Woda-Pure		S-F1	S-F5	S-C	S-UF	S-CUF	XL-CUF
Total height without wall mounting bracket (A)	mm			350			465
Total height with wall mounting bracket (B)	mm			385			500
Height to centre of connection (C)	mm			310			425
Distance required for service (D)	mm			65			
Installation length (E)	mm			125			
Filter cartridge Ø (F)	mm			88			130
Filter cartridge weight, cartridge dry appr.	kg	0.9	0.9	0.8	0.9	0.9	2.4
Filter cartridge weight, wet appr.	kg	1.5	1.5	1.4	1.5	1.5	4.2

2.2 Operation Conditions

Woda-Pure		S-F1	S-F5	S-C	S-UF	S-CUF	XL-CUF
Inlet/Outlet fittings		3/8" BSP male					
Typical capacity	Liters	-	-	12.000	12.000	12.000	40.000
Nominal flow rate	L/h	200					
Working pressure, min-max	bar	2 – 8					
Required water pressure inlet	bar	>1.0					
Pressure drop at 52.8 US gallons/h (200 Litres/h)	bar	0.8					
Water temperature, min-max.	°C	+4 to +30					
Ambient temperature, min-max.	°C	+4 to +40					
Transportation and storage ambient temperature, min-max.	°C	-20 to +40					
Operation/Installation position		vertical					

i NOTE!

- The filter has to be replaced at least every 6 months after installation regardless of the remaining capacity.
- After a shut down period of longer than 4 weeks, the cartridge has to be replaced in any case

3. General Information

3.1 Information about this Installation and Operation Manual

This installation and operation manual provides the necessary information for the correct installation and operation of the filter system.

Please make sure that the installation complies with applicable state and local regulations for the operation, safety and installation and for the disposal of used filters as well.

Each person handling and operating the filter system has to read and understand the installation and operation manual completely.

3.2 Limited Warranty and Liability

The Manufacturer warrants, to the original purchaser/consumer, all equipment that it manufacture's to be free from defects in materials and workmanship for a period of 2 years from the date of purchase. This warranty is subject to exclusions and limitations.

All recommendations and data in this manual are given under consideration of the actual regulations and requirements, state of the art as well as, our experience in the field of water filtration and technology.

This warranty does not include primary and secondary damage caused by:

- disregarding instructions given in the installation and operation manual
- misuse of the filter system
- inappropriate or wrong installation
- inappropriate operation
- unauthorized modifications of the system
- technical changes
- usage of non certified parts

3.3 Responsibility of the Consumer

- The installation and operation manual must be stored close to the filter system, accessibility must be available at any time.
- Operation of the filter system should only be carried out under technically correct and safe conditions.
- Comply according to the instructions given in this installation and operation manual.

3.4 Symbol Explanation

Use and Safety Precautions are marked by symbols and they start with the appropriate signal word to express their importance.

Please follow the given instructions and warnings to avoid risk of health and damage of property.

⚠ WARNING!

... Indicates a possible dangerous situation which may cause risk of health.

⚠ CAUTION!

... Indicates a possible dangerous situation which may cause damage of property.

Recommendations**📄 NOTE!**

... Additional information for an efficient and optimal operation.

4. Operation and Safety Instructions

This section is an overview about all important safety and operational aspects for a safe and satisfying operation.

Nevertheless, there are always some risks which have to be considered in case of a misuse or inappropriate handling.

The warranty only applies if the given instructions in this manual are completely fulfilled.

4.1 Intended Use

The filter system must only be used for the above mentioned purposes. Any other usage of this filter system is not recommended and voids ALL warranties.

⚠ WARNING!

- Only operate the filter system with cold water of drinking quality.
- For the protection of the drinking water, maintenance and any other work on the filter system must be carried out under consideration of the applicable state and local regulations
- Included in the filter system is a non return valve (approved according DIN EN 13959). If the filter system is used for devices requiring a special safety unit, the appropriate safety unit has to be additionally installed.
- Before any maintenance work on the water supply system is performed the filter system must be disconnected completely from the water supply system. The water system has to be rinsed before reconnecting the filter system.
- Before starting any work please disconnect all power supplies of any devices connected to the system (unplug).

⚠ CAUTION!

- Inappropriate installation can cause damage of property. State and local regulations must be applied as well as hygienic requirements and technical standards (e.g. DIN 1988, EN 1717) for the protection of the drinking water.

- Unauthorized modifications or technical changes are prohibited.
- The warranty is only applicable, if the system is installed correctly and in accordance to state and local regulations.
- A valve (shut-off valve) must be installed on the inlet of the filter system (not included in the scope of delivery)
- For the connection of the filter system appropriate hoses according DVGW 543 or NSF 61 have to be used.
- If the product was stored below freezing point, then before the filter is installed it should be stored unwrapped for 24 hours under installation conditions.
- Don't install the filter close to a heat source or open fireplace.
- The system should not come in contact with chemicals, dissolvers and vaporous dissolvers
- The place of installation must be protected against freezing and any direct or indirect sun light.

📄 NOTE!

- The non return valve is approved according DIN EN 13959 and integrated in the filter.
- Devices with boilers or water tanks such as coffee machines, etc. have to be cleaned, rinsed and sanitized before operating the filter system to ensure the protection.
- In general for immunocompromised people and for babies it is recommended to boil the water before use. This should be done for filtered and unfiltered water.
- For the protection against microbiological growth the filter contains a small amount of silver („bacteriostatic“)*. Therefore, there might be a harmless release of silver in concentrations below the recommendations of the World Health Organisation (WHO).

4.2 Qualified Staff

Only authorized, instructed and specially trained personnel (professional plumber) are allowed to install, start up and maintain the filter system.

• Authorized Personnel

Are to have the Instructions about the assigned tasks and possible risks in case of misuse.

• Professional

Professionals who are able to install, start up and maintain the filter system, because of their training, experience and knowledge of applicable guidelines and codes.

4.3 Operation after a Shut Down

- The inlet valve (shut-off valve) has to be closed in case of a shut down.
- If the shut down was more than two days (weekend, holiday....) the filter system has to be rinsed with 4 - 5 liters before use.
- After a shut down period of more than 4 weeks the filter cartridge has to be replaced.

4.4 Replacement Interval

The cartridge has to be replaced if:

- the capacity (see 2.2 Operation Conditions) is reached
- at least every 6 months after installation
- if there was a shut down longer than 4 weeks

4.5 Disposal

Used filter cartridges, all other parts and the wrapping foil must be disposed according to the local rules. To protect the environment, recycling is recommended and appreciated.

5. Filter Function

5.1 Assigned Use

Woda-Pure S-F1, Woda-Pure S-F5

The Woda-Pure S-F1/F5 are designed exclusively for the intended purpose described in this manual. Filter removes particles (e.g. sand, rust, suspended solids) which are larger than 1 µm (F.) or 5µm (F5) All valuable minerals are retained in the water – for the best taste and a full aroma in hot and cold drinks.

Woda-Pure S-C

The Woda-Pure S-C filter are designed exclusively for the intended purpose described in this manual. Filter for the removal of undesirable odors or flavours (e.g. chlorine), natural colorants (e.g. humic substances) for drinking water.

Woda-Pure S-UF

The Woda-Pure S-UF filter are designed exclusively for the intended purpose described in this manual. Filter for the removal of bacteria of cold water fulfilling the legal requirements for drinking water.

Woda-Pure S-CUF, Woda-Pure XL-CUF

The Woda-Pure S/XL-CUF filter are designed exclusively for the intended purpose described in this manual. Filter for the removal of undesirable odors or flavours (e.g. chlorine), natural colorants (e.g. humic substances) and for the removal of bacteria of cold water fulfilling the legal requirements for drinking water.

RISKS OF MISUSAGE!

Any other use does exclude any liability and warranty of the manufacturer and may cause a dangerous situation.

5.2 Construction/Filter Function

Woda-Pure S-F1, Woda-Pure S-F5

The raw water flows to the filter cartridge and through a filter to remove particles.

Woda-Pure S-C

The tap water is entering the filter cartridge and the water is filtered by an activated carbon.

Woda-Pure S-UF

The tap water is entering the filter cartridge and the water is filtered by a dead-end hollow fibre ultrafiltration membrane for bacteria removal.

Woda-Pure S-CUF, Woda-Pure XL-CUF

The tap water is entering the filter cartridge and the water is filtered by an activated carbon-block. Particles, dissolved organic matter, natural colorants and substances responsible for bad taste and odours e.g. chlorine are removed.

Then the water is filtered by a dead-end hollow fibre ultrafiltration membrane for bacteria removal. The filter is also equipped with a small amount of silver for bacteriostatic reasons.

6. Filter installation

6.1 Water Quality

The filter must be operated with cold water fulfilling the legal requirements for drinking water and the following quality criteria:

Woda-Pure UF / CUF

- Total iron and manganese < 0.2 ppm (mg/l)
- Free chlorine < 0.5 mg/l ppm (mg/l)

WARNING

Risks of usage!

- In any case of usage against the intended use e.g. poor water quality, not reaching the criteria for drinking water there is a risk of health.

6.2 Pressure

A minimum inlet flow pressure of 1 bar is required for the function of the filter. In the event of pressure fluctuations and pressure shocks, the sum of pressure shocks and static pressure must not exceed the nominal pressure of 8 bar.

In the process, the positive pressure shock must not exceed 2 bar and the negative pressure shock must not exceed 50 % of the adjusting flow pressure (see DIN 1988 Part 2.2.4).

⚠ CAUTION!

If the nominal pressure is above 8 bar a pressure reduction/reducer has to be installed in front of the filter system. The pressure reduction/reducer should be set to 4 bar.

📌 NOTE!

- The implementation of a pressure reducer may have an influence on the water flow .
- The inlet flow pressure of the filter system should be higher than 1 bar.

6.3 Unpacking the Filter

After unpacking please check the completeness of the content and inspect the condition of the filter and parts e.g. damages caused by transport.

⚠ CAUTION!

- Defect or damaged parts have to be replaced with original parts from the manufacturer
- Always ensure a safe and clean working place
- Keep children away from the wrapping material, risk of suffocation!

For the protection of the environment, dispose all the plastic waste properly, complying with local disposal regulations.

6.4 Mounting of the Filter Head and Wall bracket

6.4.1 Mounting the Wall bracket

⚠ CAUTION!

- Please check the technical data, operation and safety instruction before installation.
- Only use hoses according NSF 61 for the connection of the system.
- By mounting the equipment take care of the installation dimensions (e.g. distances, necessary radius for the hoses).

Procedure:

1. The installation should be done at locations where the connection to the drinking water supply is as simple and close as possible.
2. The filter system can be installed and operated in vertical position (see Fig. 4).
3. To allow service and replacement of the cartridge after installation a distance of 65 mm between bottom and cartridge is required in case of a vertical installation.

4. The wall bracket has to be adjusted and mounted to allow a convenient access and replacement of the cartridge.
5. The system has to be mounted on the wall firmly and securely.
6. The installation must be done by a professional and authorized person.
7. Mark the included label with the installation date (month/year) and stick the label on top of the filter head (see Fig. 5).

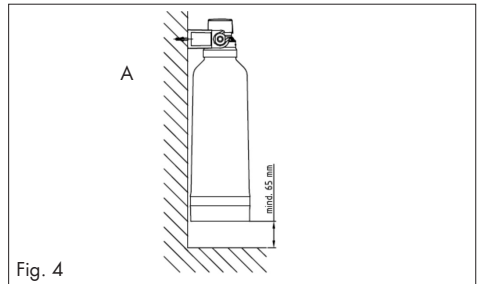


Fig. 4

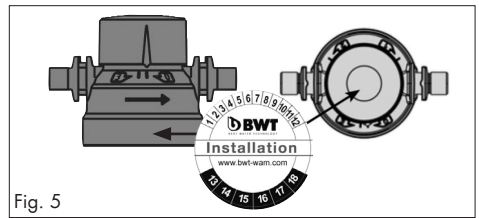


Fig. 5

6.4.2 Mounting the Filter Head

⚠ CAUTION!

- Make sure that the filter head is never left under system pressure over a longer period of time without any filter cartridge.
- The tightening torque of the fittings must not exceed 15 Nm!

📌 NOTE!

- The included aqua stop in the filter head prevents a water flow without installed filter cartridge.
- Before removing the filter cartridge the separately installed valve before the filter system should be closed (not included in the scope of supply).

Procedure:

1. Insert the filter head in the wall bracket.
2. Pay attention to the correct direction of the flow direction (see Fig. 6).
3. Mount and connect the hoses to the filter head

(consider the bending radius of the hoses) (see Fig. 7).

4. Connect the hose to the water supply, respectively to the valve before the system.
5. Connect the outlet hose of the filter system to the consumer system/device.
6. Open the inlet valve and check if the system is leak-proof.
7. Close the inlet valve.

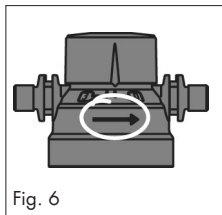


Fig. 6

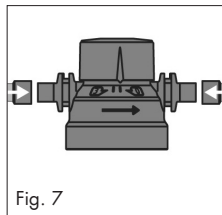


Fig. 7

6.5 Filter Cartridge Installation

⚠ CAUTION!

- Only use the Woda-Pure filter cartridge in combination with an original BWT filter head.
- Please avoid any impurities in the filter system, keep the working conditions and filter system clean.

Procedure:

1. Unwrap the filter cartridge and remove the hygienic cap.
2. Before installation of the filter cartridge please mark the date of installation and the date of the replacement on the data plate of the filter cartridge (see Fig. 8).
3. To mount the filtercartridge in the filter head turn the cartridge counter clockwise into the thread of the filter head (see Fig.9).
4. Open the inlet valve (cut-off valve).
5. For the first start up the filter system has to be rinsed and flushed.

The necessary rinsing volume is given in the table below.



Fig. 8

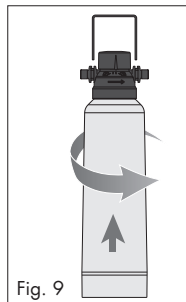


Fig. 9

Table: required volume of flushing water

Woda-Pure	S	XL
Flushing water in liters	4	5

ⓘ NOTE!

After a shut down of more than two days the filter system has to be rinsed with 4 - 5 liters water.

6.6 Filter Cartridge Change

⚠ CAUTION!

- The inlet valve (provided by the customer) must be closed before the filter cartridge is changed/replaced.

ⓘ NOTE!

- The filter cartridge has to be replaced after 6 months from installation/start up in any case independent of the remaining capacity.
- After a shut down period of longer than 4 weeks, the filter cartridge has to be replaced in any case.

Procedure:

1. Close the inlet valve (cut-off valve).
2. Unscrew and remove the filter cartridge out of the filter head by turning the cartridge clockwise (see Fig 10). The filter head can be turned by 90° (horizontal position of the filter cartridge) to make the replacement easier.
3. Install the new filter cartridge as described in chapter 6.5 (see Fig. 11).
4. Rinse/purge the filter cartridge as described in chapter 6.6.
5. Open the inlet valve.
6. Check the filter system, leak-proof.
7. Dispose the used filter cartridge according the local requirements.

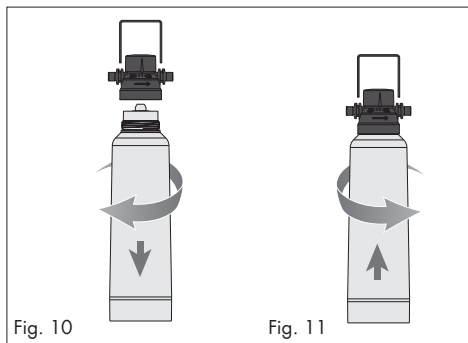


Fig. 10



Fig. 11

7. Service and Maintenance

To ensure a satisfying function every technical device has to be maintained regularly.

CAUTION!

Drinking water is food

therefore, please handle the filter system hygienically. Clean the filter system regularly with a wet cleaning rag. Keep everything clean especially if the filter cartridge has to be replaced. Avoid the usage of alcohol based cleaners, acidic and strong chemicals.

Leak-proof

check daily

Checking the hoses/piping

regular inspection, hoses/piping should not be squeezed or bent, replace squeezed/bent hoses piping.

Shut down

After a shut down of more than two days the cartridge has to be rinsed with at least 4 – 5 litres of water.

Replacement of the filter cartridge

at least after 6 months independent of the remaining capacity, also after a shut down of more than 4 weeks.

Replacement of the filter head

after 5 years

Replacement of the hoses

after 5 years

- Note, that the filter has to be changed within the given period and capacity otherwise there is the risk of health.
- Hoses and fittings older than 5 years may cause damage of property; change accordingly.
- According DIN 1988, wear and tear parts has to be replaced by professionals (specialised dealer or customer service).

8. Trouble Shooting

Error	Cause	Action
water supply out of the filter has stopped	Water supply in general is stopped or a valve is closed	Open and check all the valves
	Filter cartridge is not mounted properly in the filter head	Loosen the filter cartridge by turning the filter cartridge 180 degree clockwise and tighten the filter cartridge again (see chapter 6.6)
	Wrong mounted filter head	Check the flow direction of the water according the arrow (see chapter 6.4.2), change the flow direction if necessary
Low flow rate	System pressure is too low	Check the system pressure (see chapter 6.2)
	Particles concentration in the feed water is too high	Replacement of the cartridge, independent of remaining capacity. In this case the frequency of replacement has to be increased. BWT recommends the installation of a 5 µm particle filter before the Woda-Pure filter
Aqua stop in the filter head is leaking (while the filter cartridge is removed)	Particles within the aqua stop	Rinse the system with installed filter
Screw connection between the fitting is leaking	Sealing is defect	Check the sealing, if necessary replace the sealing
Air bubbles	System isn't purged completely	Repeat the purging/rinsing process

9. Order Numbers

	Order Number
Woda-Pure S-F1 – replacement cartridge	812565
Woda-Pure S-F5 – replacement cartridge	812538
Woda-Pure S-C – replacement cartridge	812561
Woda-Pure S-UF – replacement cartridge	812566
Woda-Pure S-CUF – replacement cartridge	812539
Woda-Pure XL-CUF – replacement cartridge	812540
Woda-Pure filter head	812533

Further information:

BWT Austria GmbH

Walter-Simmer-Straße 4
A-5310 Mondsee
Phone: +43 / 6232 / 5011 0
Fax: +43 / 6232 / 4058
E-Mail: office@bwt.at

BWT Česká Republika s.r.o.

Lipová 196 - Čestlice
CZ-251 01 Říčany
Phone: +42 / 272 / 680 300
Fax: +42 / 272 / 680 299
E-Mail: info@bwt.cz

BWT UK Limited

BWT House, The Gateway Centre
Coronation Road, High Wycombe
Buckinghamshire. HP12 3SU
Phone: +44 / 1494 / 838 100
Fax: +44 / 1494 / 838 101
E-Mail: enquiries@bwt-uk.co.uk

BWT Wassertechnik GmbH

Industriestraße 7
D-69198 Schriesheim
Phone: +49 / 6203 / 73-0
Fax: +49 / 6203 / 73-102
E-Mail: bwt@bwt.de

BWT Polska Sp. z o.o.

ul. Polczyńska 116
PL-01-304 Warszawa
Phone: +48 / 22 / 533 57 00
Fax: +48 / 22 / 533 57 19
E-Mail: bwt@bwt.pl

BWT Nederland BV

Energieweg 9
NL-2382 NA Zoeterwoude
Phone: +31 / 88 / 750 90 00
Fax: +31 / 88 / 750 90 90
E-Mail: sales@bwt nederland.nl

BWT France SAS

103, Rue Charles Michels
F-93206 Saint Denis Cedex
Phone: +33 / 1 / 492 245 00
Fax: +33 / 1 / 492 245 45
E-Mail: bwt@bwt.fr

BWT Hungária Kft.

Keleti utca 7
H-2040 Budaörs
Phone: +36 / 23 / 430 480
Fax: +36 / 23 / 430 482
E-Mail: bwt@bwt.hu

BWT Birger Christensen AS

Røykenveien 142 A
P.O. Box 136
N-1371 Asker
Phone: +47 / 67 / 17 70 00
Fax: +47 / 67 / 17 70 01
E-Mail: hoh@hoh.dk

BWT Belgium NV/SA

Leuvensesteenweg 633
B-1930 Zaventem
Phone: +32 / 2 / 758 03 10
Fax: +32 / 2 / 758 03 33
E-Mail: bwt@bwt.be

BWT AQUA AG

Hauptstraße 192
CH-4147 Aesch/Bl
Phone: +41 / 61 / 755 88 99
Fax: +41 / 61 / 755 88 90
E-Mail: info@bwt-aqua.ch

OOO BWT

Ul. Kasatkina 3A
RU-129 301 Moscow
Phone: +7 / 495 / 686 6264
Fax: +7 / 495 / 686 7465
E-Mail: info@bwt.ru