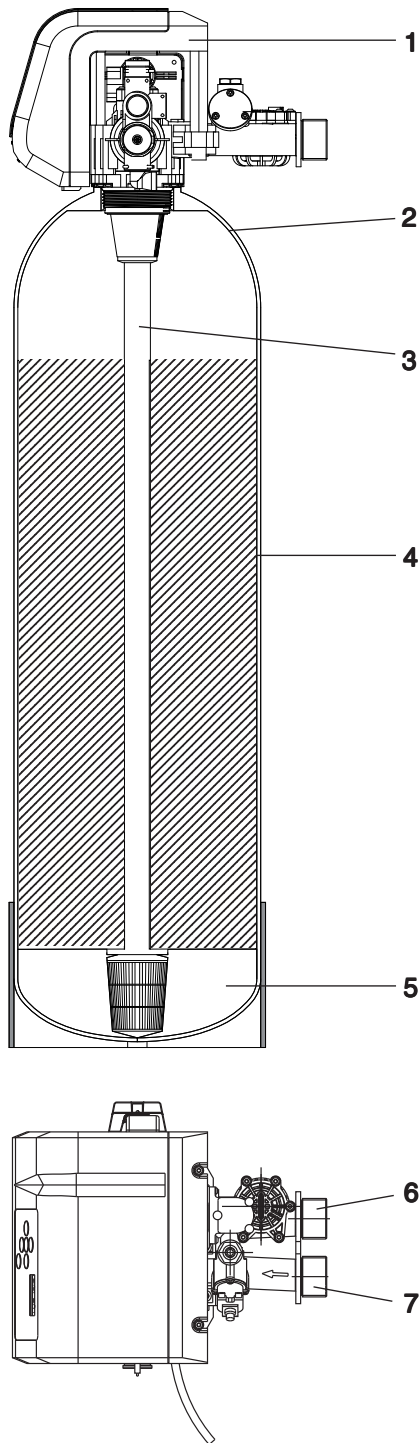




BWT Multi C

Point of entry filter

Type: 1000, 2000, 3000



Scope of delivery

The **BWT Multi C** consists of:

- 1 Control valve
- 2 Pressure tank, fibreglass reinforced polyester
- 3 Central tube, installed with nozzle system
- 4 Bewasorb
- 5 Filter gravel, 1-2 mm
- 6 Filtered water outlet
- 7 Unfiltered water inlet

All materials used are corrosion-resistant and suitable for use in drinking water treatment.

Expendable

Filling Multi / PoE 1000	Order-No.: 6-630047
Filling Multi / PoE 2000	Order-No.: 2-060966
Filling Multi / PoE 2000	Order-No.: 2-060967

Intended use

The BWT Multi reduces particles, chlorine, colour, smell, organics, iron (Fe < 1ppm).

The filters are **not** suitable for oils, grease, solvents, soaps and other lubricating media.

Function

During operation, water flows from top to bottom through the filter bed and impurities are filtered out or absorbed.

After consumption of a predefined water volume, the filter is automatically backwashed at the set time. Water flows from bottom to top through the filter bed. This loosens the filter material and the impurities are flushed out.

Operation during backwashing is possible via bypass valve with unfiltered water.

Electrical power failure

In case of an electrical power failure all settings are permanently stored. The unit remains in the operating position it was in when the power failed.

Installation conditions

Observe all applicable installation regulations and technical specifications. In some countries a system separation is necessary when installing this filter.

The filter is not suitable for producing drinking water from water of unknown origin.

A strainer of 200 µm must be installed upstream of the filter.

The water to be filtered must be drinking water that fulfils the following quality criteria:

Free chlorine	< 2 ppm
Temperature	4°C – 30°C
Maximum static pressure:	8 bar
Minimum flow pressure:	2.5 bar

The unit's maximum operational pressure must never be exceeded (see above). If the network pressure is higher, a pressure reducer must be installed upstream of the unit.

The unit requires a minimum operational pressure in order to function. During pressure fluctuations or surges, the sum of the pressure surge and the standing pressure must not exceed the nominal pressure. The positive pressure surge must not be greater than 2 bar, and the negative pressure surge must not be less than 50% of the self-adjusting flow pressure.

When installing the unit, select a location where the unit can easily be connected to the water supply network. A connection to the sewage system (at least DN 50), a floor drain and a separate power supply (230 V/50 Hz) must be located in the immediate vicinity.

The flushing water hose must be routed at an incline to the sewage system or connected to a pump. **Note:** The flushing water hose must be connected at least 20 mm above the highest possible waste water level (unimpeded drainage).

The installation site must be protected against frost and must guarantee the protection of the filter from water splashes, solvent vapours, fuel oil, soap suds, chemicals of all types, UV irradiation (sunlight), and heat sources over 40°C.

Installation

Connect the unit as shown in the adjacent diagram.

A bypass is integrated into multiblock module.

Installation is possible in horizontal or vertical pipelines.

Follow the separate installation instructions; otherwise the warranty is void if the unit becomes damaged.

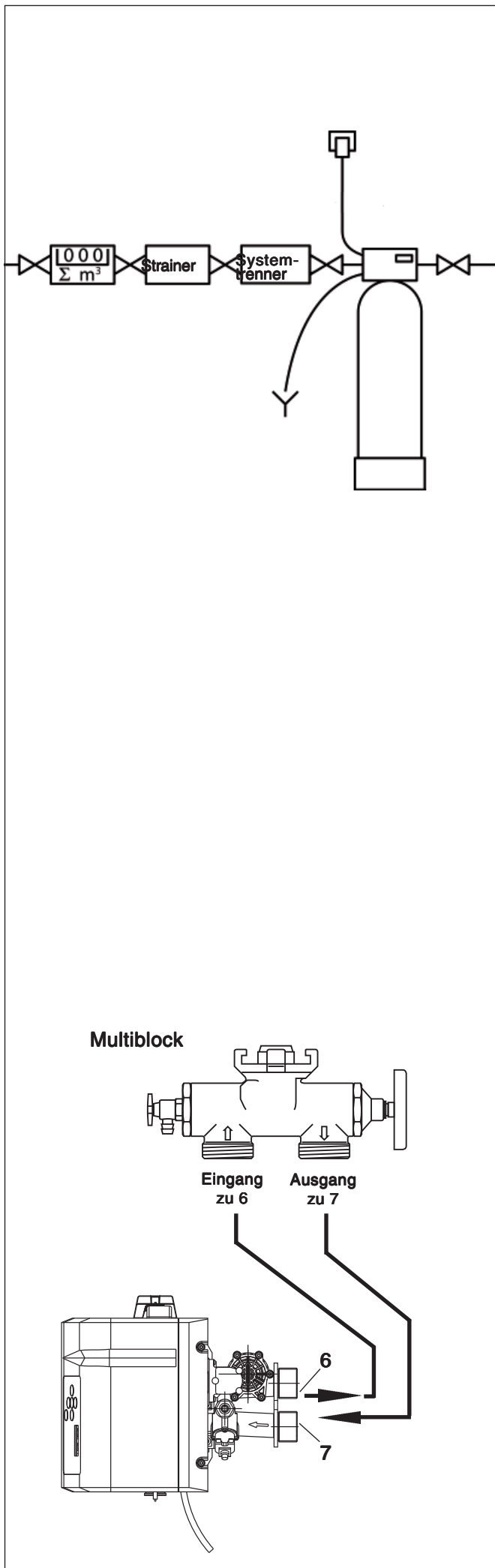
Flush out any dirt particles by opening the handwheel on the multiblock module.

Connect a corrugated hose to the multiblock module **outlet** and the **hard water inlet (7)**. **Be sure to observe the arrows indicating the direction of flow.**

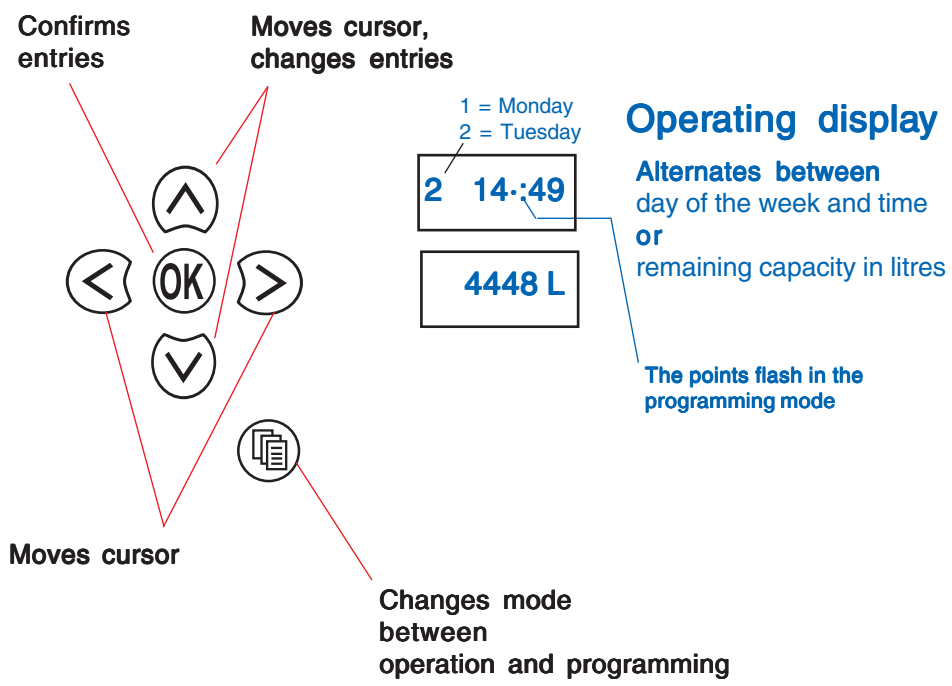
Connect a corrugated hose to the multiblock module **inlet** and form a watertight seal with the **softened water outlet (6)**.

Route the flushing water hose (11) at an incline to the sewage system connection (drain) and secure the end with the supplied fixing material to prevent it flapping about when under pressure.

The flushing water hose must be connected to the channel with a distance of at least 20 mm from the highest waste water level (unimpeded drainage).



Operation and display of the controller



Factory settings

Operating range:	tP1 \approx 1-2 residential units
Backwashing time:	2 am
Auto backwashing:	every 96 h, if remaining capacity is not 0 (monthly or end of capacity)
	BWT Multi 1000 C 1000 litres
	BWT Multi 2000 C 1800 litres
	BWT Multi 3000 C 2400 litres
Service:	BWT Multi 1000 C 75 m ³
	BWT Multi 2000 C 200 m ³
	BWT Multi 3000 C 300 m ³

Start-up

Insert mains plug.

Water supply must remain closed.
The display shows **StArt** and then alternates between the capacity and day of the week (1-7) / time.

Allow basic fixing to finish (approx. 40 sec.) The running noise stops.

An automatic backwashing starts.

Slowly open the water supply to set the unit under pressure.

The display alternates between **remaining backwashing time** in minutes (with a flashing symbol) and **rEG On**

At the end of the backwashing the flushing water must look clear. If it does not look clear, repeat the backwashing.

Starting backwashing

Press about 4 sec. until the backwashing starts.

The display alternates between **remaining backwashing time** in minutes (with a flashing symbol) and **rEG On**

Setting the time

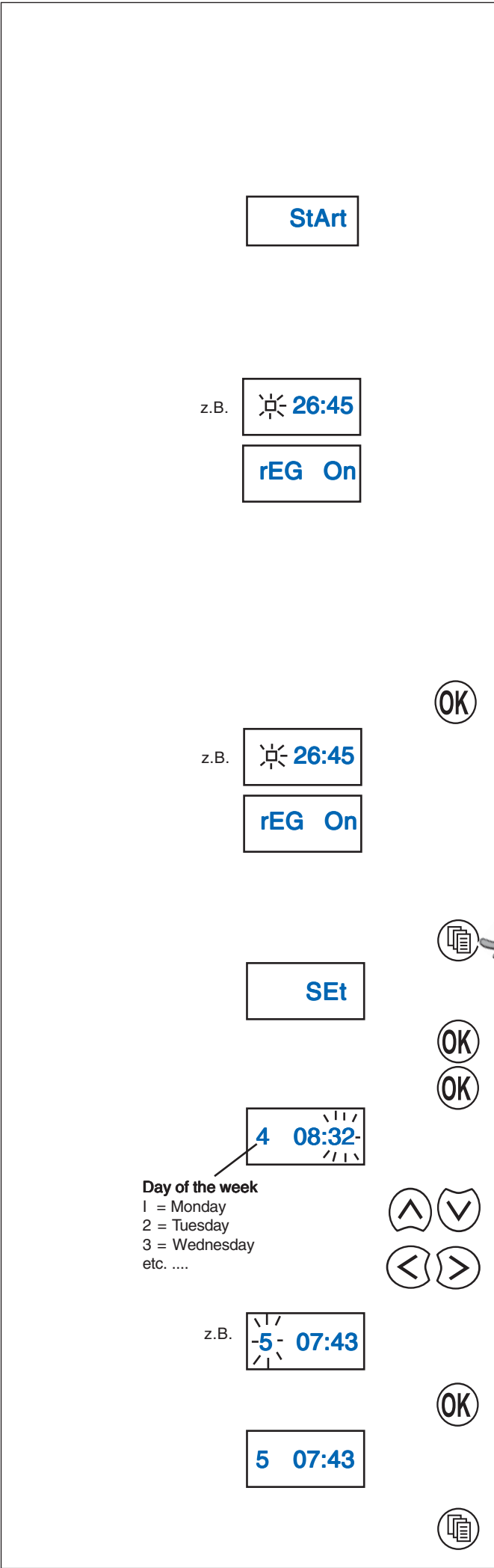
Flashing time can be changed

changes the numbers

moves the cursor

Set day of the week

The programming is complete. The unit is ready.

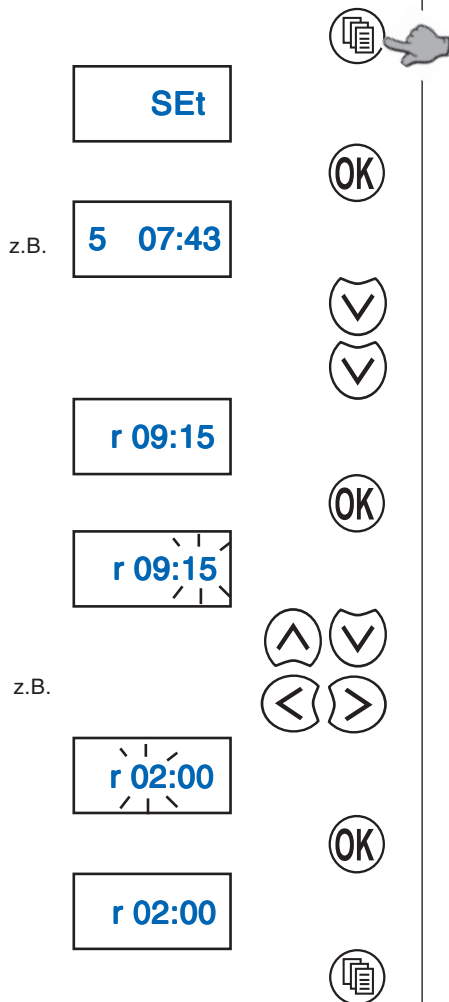


You can use this list to check your work again after having installed and started the unit.

Checklist

- Is there a protective filter upstream from the unit in the immediate vicinity within spitting distance?
- Is the water and power supply to the unit continuous (network pressure of at least 2 bar)?
- Is the Multiblock opened to the limit stop?
- Have the connection hoses been properly connected? (Observe flow direction arrows, drinking water inlet at the non-return valve of the unit)
- Has the flushing water hose been routed separately to the sewage system and connected in compliance with DIN standards? (See Installation)

Changing the Time of Backwashing



Time of Backwashing

Flashing time can be changed

changes the numbers

moves the cursor

New time of Backwashing

The programming is complete.

Refill and replace Bewasorb

Disconnect the BWT Multi from the water supply system.

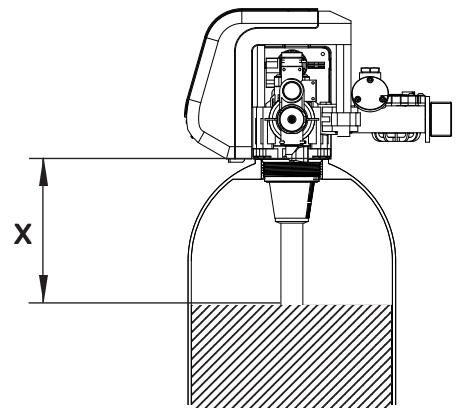
Unscrew the control valve from the pressure tank.



Fill in Bewasorb

Cover central tube. Do not fill Bewasorb in central tube!

Freeboard X :	Multi 1000 C	140 mm
	Multi 2000 C	235 mm
	Multi 3000 C	300 mm



Use the enclosed o-ring lubricant.

Screw on the control valve.

Reconnect the BWT Multi to the water supply system.

Carry out backwashing (see initial start-up).

BWT Multi is ready for use again.

Maintenance

GB

Check the installation regularly for leaks.

The operator must refill / replace the Bewasorb to ensure that the unit continues to function effectively.

Refill Bewasorb: One time a year respectively after 75 / 200 / 300 m³ of water flow (Multi 1000 / 2000 / 3000).

Replace Bewasorb: When the water pressure drops downstream the filter, at least every 24 months.

Warranty

If the product fails during the warranty period, please contact your contract partner or installation company, and indicate the model type and production number (see specifications or the type plate on the unit).

Operator responsibilities

You have purchased a product that is durable and easy to service. However, all technical equipment requires regular servicing to guarantee optimal functionality.

Regular checks of the filter by the operator are required for the warranty and proper functioning of the unit.

Check for leaks, visual inspection:	Weekly
Check treated water quality:	Monthly

The replacement of wearing parts within the prescribed maintenance intervals is also required for the warranty and proper functioning of the unit.

Replacement of wearing parts:

Refill / replace Bewasorb Bewasorb, 8 kg Sack	Annually Order no. 6-630047
Replace o-rings	Every 3 years
Replace drain hose	Every 5 years
Replace pressure tank	Every 10 years

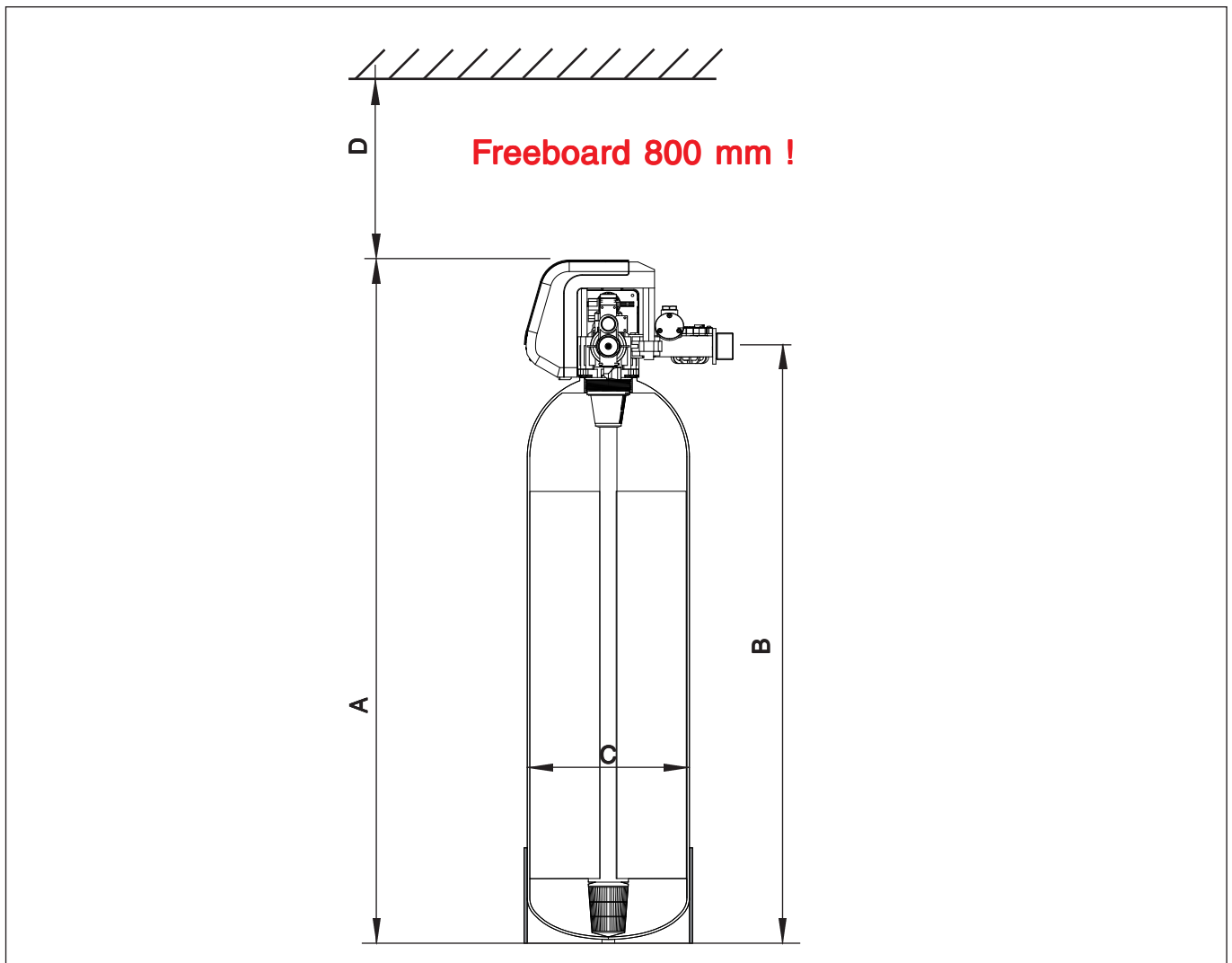
Only qualified technicians may replace wearing parts.

We recommend that you conclude a maintenance contract with your plumber.

Technical specifications

GB

BWT Multi	Type	1000	2000 C	3000 C
Nominal connection width	DN	32 (1¼" external threads)		
Max. flow	m³/h	1	2	3
Nominal flow	m³/h	0,6	1	1.5
Nominal pressure (PN)	bar	8		
Operating pressure	bar	2 - 8		
Capacity	l	1000	1800	2400
Service interval	m³	75	200	300
Flushing water flow at 4 bar	l/min.	7.5		
Backwashing time	min.	7		
Water- / ambient temperature, max.	°C	30 / 40		
Reduction of Chlorine at nominal flow, min.	%	50		
Mains power	V/Hz	230 / 50-60		
Unit Voltage	V~	18		
Energy requirement	W/h	15		
Total height	A mm	685	1080	1280
Connection height	B mm	485	940	1145
Diameter of pressure tank	C mm	208	254	254
Freeboard	D mm	500	800	800
Filter gravel, 1-2 mm	Litres	-	4	4
Bewasorb	Litres	4	30	43
Drain system connection	DN	50	50	50
Operating weight, approx.	kg	13	55	70
PNR = Production number		6-315029	6-315023	6-315024



Further information:

BWT Austria GmbH

Walter-Simmer-Straße 4
A-5310 Mondsee
Phone: +43 / 6232 / 5011 0
Fax: +43 / 6232 / 4058
E-Mail: office@bwt.at

BWT Wassertechnik GmbH

Industriestraße 7
D-69198 Schriesheim
Phone: +49 / 6203 / 73 0
Fax: +49 / 6203 / 73 102
E-Mail: bwt@bwt.de

Cillichemie Italiana SRL

Via Plinio 59
I-20129 Milano
Phone: +39 / 02 / 204 63 43
Fax: +39 / 02 / 201 058
E-Mail: info@cillichemie.com

BWT France SAS

103, Rue Charles Michels
F-93206 Saint Denis Cedex
Phone: +33 / 1 / 4922 45 00
Fax: +33 / 1 / 4922 45 45
E-Mail: bwt@bwt.fr

BWT Belgium N.V.

Leuvensesteenweg 633
B-1930 Zaventem
Phone: +32 / 2 / 758 03 10
Fax: +32 / 2 / 758 03 33
E-Mail: bwt@bwt.be

BWT Česká Republika s.r.o.

Lipová 196 -Cestlice
CZ-251 01 Rícany
Phone: +42 / 272 680 300
Fax: +42 / 272 680 299
E-Mail: info@bwt.cz

BWT Polska Sp. z o.o.

ul. Polczyńska 116
PL-01-304 Warszawa
Phone: +48 / 22 / 6652 609
Fax: +48 / 22 / 6649 612
E-Mail: bwt@bwt.pl

BWT Hungária Kft

Keleti út. 7.
H-2040 Budaörs
Phone: +36 / 23 / 430 480
Fax: +36 / 23 / 430 482
E-Mail: bwtchrist@bwtchrist.hu

BWT AQUA AG

Hauptstraße 192
CH-4147 Aesch/BL
Phone: +41 / 61 / 755 88 99
Fax: +41 / 61 / 755 88 90
E-Mail: info@bwt-aqua.ch

BWT UK Ltd.

Coronation Road, BWT House
High Wycombe
Buckinghamshire, HP12, 3SU
Phone: +44 / 1494 / 838 100
Fax: +44 / 1494 / 838 101
E-Mail: info@bwt-uk.co.uk

BWT Nederland B.V.

Centraal Magazijn
Energieweg 9
NL-2382 NA Zoeterwoude
Phone: +31 / 71 750 36 66
Fax: +31 / 71 589 74 29
E-Mail: sales@bwt nederland.nl

HOH Water Technology A/S

Geminivej 24
DK-2670 Greve
Phone: +45 / 43 / 600 500
Fax: +45 / 43 / 600 900
E-Mail: hoh@hoh.dk

Cillit S.A.

C/Silici, 71 - 73
Poligono Industrial del Este
E-08940 Cornella de Llobregat
Phone: +34 / 93 / 440 494
Fax: +34 / 93 / 4744 730
E-Mail: cillit@cillit.com

OOO Russia BWT

Ul. Kasatkina 3A
RU-129301 Moscow
Russian Federation
Phone: +7 / 495 686 6264
Fax: +7 / 495 686 7465
E-Mail: info@bwt.ru